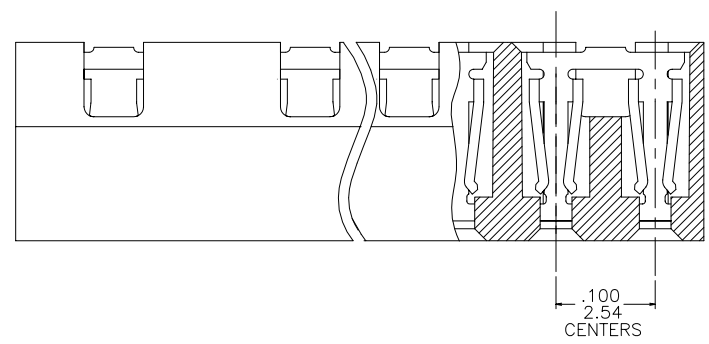
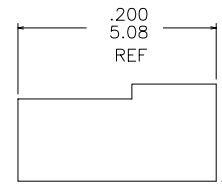
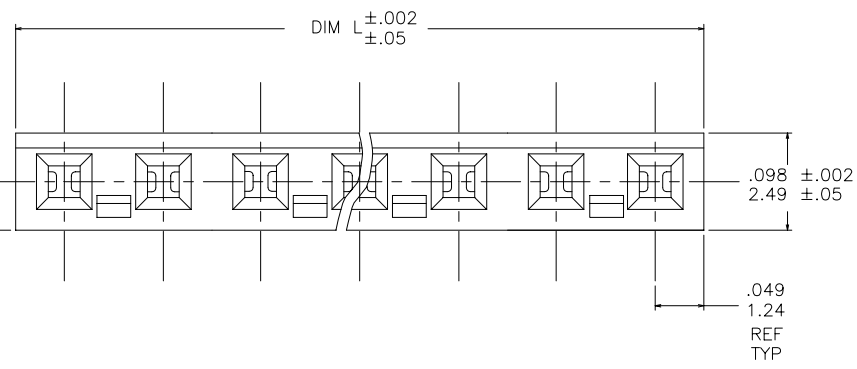


PRODUCT NO.
SEE TABLE



.100
2.54
CENTERS

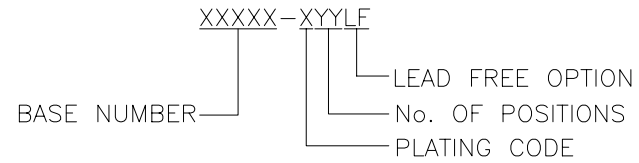


mat'l. code				surface ISO 1302 <input checked="" type="checkbox"/>		tolerance ISO 406 ISO 1101		projection 		product family JUMPER	
tolerances unless otherwise specified				linear		.xx±.01/.3		INCH/MM		title	
A	RELEASE	JGS	4/1/91	angles						S. R. MULTI POSITION LOW PROFILE JUMPER ASS'Y	
B	V11440	MRC	7/19/91			.xxx±.005/.13		scale 1:1		dwg no 69146	
C	V80322	SAR	5/21/98	0°±2'		.xxxx±.0020/.051				sheet 1 of 2 A3	
D	M05-0205	ERE	09/29/05	dr	J. SHREINER	4/1/91				type Product Customer Drawing	
E	M06-0238	MN	06/17/06	enr	M.HAHN	4/1/91					
F	M06-0389	AGS	10/4/06	chr	M.HAHN	4/1/91					
				appd	M.HAHN	4/1/91					
sheet index	revision sheet	F	F								
		1	2								

FCI
FCIconnect.com

Copyright FCI

PRODUCT NO.	NO. OF POS.	DIM L	LEAD FREE OPTION
69146-X04	1 X 4	.398/10.11	NOTE 3,4
-X06	1 X 6	.598/15.19	
-X08	1 X 8	.798/20.27	
-X10	1 X 10	.998/25.35	
-X12	1 X 12	1.198/30.43	
-X14	1 X 14	1.398/35.51	
-X16	1 X 16	1.598/40.59	
-X18	1 X 18	1.798/45.67	
69146-X20	1 X 20	1.998/50.75	NOTE 3,4



NOTES:

- ① MATERIAL; POLYESTER, FLAME RETARDANT PER UL-94-VO. COLOR - BLACK
2. RECOMMENDED APPLICATION DATA:
 - A. ALL MATING PINS TO BE .025/.64 SQ.ON TRUE CENTER OF GIVEN TERMINAL SPACING WITHIN .015/.38 DIA.
 - B. SUGGESTED MATING PIN LENGTH .160/4.06 MIN.
- ③ ADD "LF" SUFFIX AT THE END OF PART NUMBER FOR LEAD FREE OPTION.
- ④ THESE PRODUCTS MEET EUROPEAN UNION DIRECTIVES AND OTHER COUNTRY REGULATIONS AS DESCRIBED IN GS-22-008.
5. THE PRODUCT IS NOT INTENDED TO BE EXPOSED TO A MANUFACTURING SOLDER PROCESS.
- ⑥ "THIS PRODUCT HAS 100% TIN PLATING IN THE INTERFACE AND HAS NOT BEEN TESTED FOR WHISKERS GROWTH IN ALL INTERCONNECT ENVIRONMENTS."

CONTACT PLATING:

- 1XX 15μ"/0.38μ Au OVER 50μ"/1.27μ Ni
- 2XX 30μ"/0.76μ Au OVER 50μ"/1.27μ Ni
- 3XXLF 100μ"/2.54μ Sn OVER 50μ"/1.27μ Ni (NOTE 6)
- ~~--4XX Au FLASH OVER 50μ"/1.27μ Ni in CONTACT AREA -- OBSOLETE~~

mat'l. code		surface ISO 1302 ✓		tolerance ISO 406 ISO 1101		projection ⊕		product family JUMPER	
ltr	ecn	no	dr	date		tolerances unless otherwise specified		title	
F						angles	linear	INCH/MM	
						0°±2'	.xx±.01/.3 .xxx±.005/.13 .xxxx±.0020/.051	scale 1:1	
				dr		J. SHREINER	4/1/91	dwg no	
				enr		M.HAHN	4/1/91	sheet 2 of 2	
				chr		M.HAHN	4/1/91	size	
				appd		M.HAHN	4/1/91	A3	
sheet index		revision sheet						type Product Customer Drawing	

FCJ
 FCconnect.com
 Copyright FCJ